



Saves Your Energy

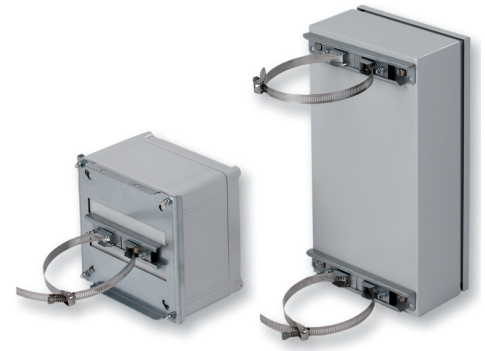
Pole mounting brackets For plastic and metal enclosures

We have developed versatile pole mounting brackets that can be used with several thermoplastic, polyester and sheet steel enclosures.

Pole mounting brackets were designed to securely fasten your Ensto Cubo plastic and metal enclosures to a pole. The pole mounting

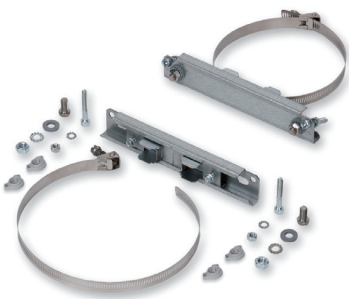
brackets are a set of two rails or a plate with a pole clamp and needed screws. The diameter for the pole can vary between 40 mm and 140 mm.

The pole mounting brackets can be used with Ensto Cubo O, C and W thermoplastic enclosures, Ensto Cubo N polyester cabinets and Ensto Cubo F and E sheet steel enclosures. The brackets can also be used with various enclosure models from other manufacturers.

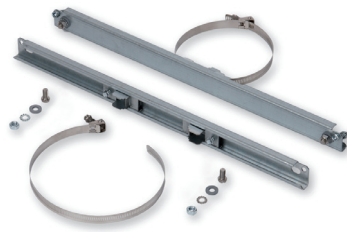


Pole mounting brackets for plastic and metal enclosures

Product code	Description	Dimensions (mm)	Package size (pcs)	EAN 13 code
Sets of two rails				
PMB20	For 200 mm wide enclosure	28 x 35 x 195	1	6438100131739
PMB25	For 250 mm wide enclosure	28 x 35 x 245	1	6438100135430
PMB30	For 300 mm wide enclosure	28 x 35 x 295	1	6438100131753
PMB40	For 400 mm wide enclosure	28 x 35 x 395	1	6438100131760
PMB50	For 500 mm wide enclosure	28 x 35 x 495	1	6438100131777
PMB60	For 600 mm wide enclosure	28 x 35 x 595	1	6438100131784
Sets with a plate				
PMB1515	For 150 mm wide enclosure	41 x 150 x 155	1	6438100131722
PMB2020	For 200 mm wide enclosure	41 x 200 x 205	1	6438100131746



PMB20



PMB50

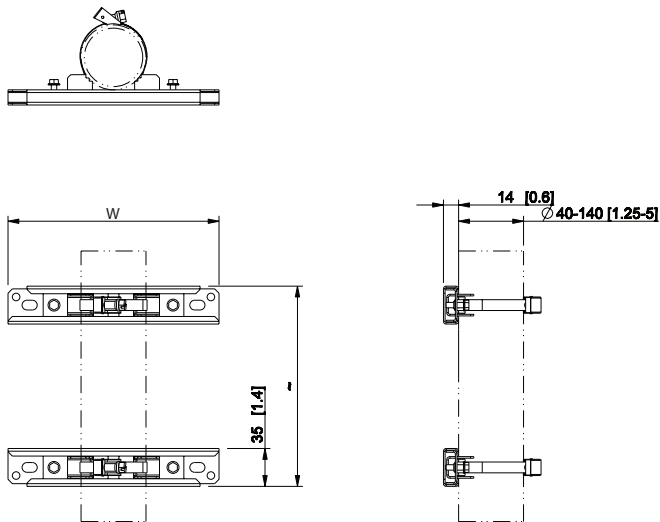


PMB2020

Dimensional drawings

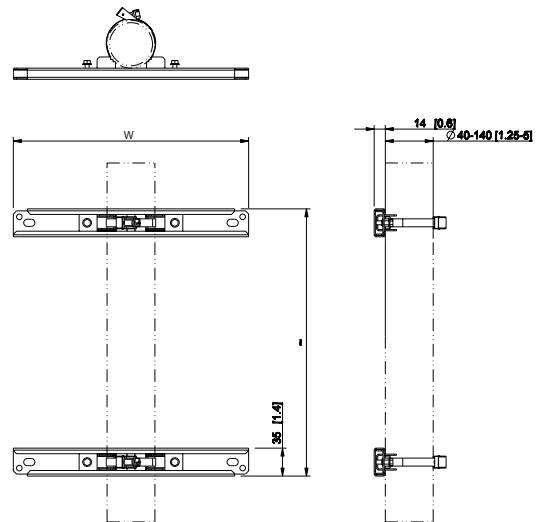
Dimensions in mm [inch]

PMB20, PMB25



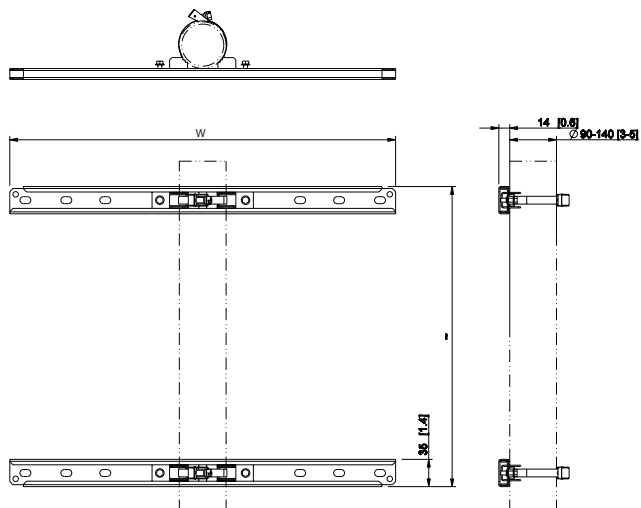
Product code	W
PMB20	195
PMB25	245

PMB30, PMB40



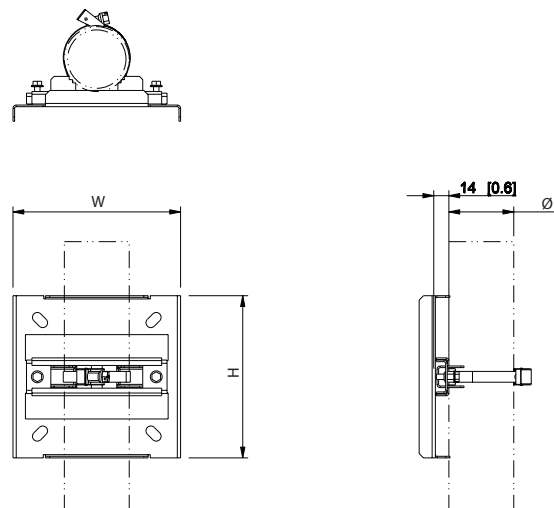
Product code	W
PMB30	295
PMB40	395

PMB50, PMB60



Product code	W
PMB50	495
PMB60	595

PMB1515, PMB2020



Product code	W	H	Pole Ø
PMB1515	155	150	Ø 40-115
PMB2020	205	200	Ø 40-140



Saves Your Energy

Ensto Finland Oy
 Ensio Miettisen katu 2, P.O. Box 77
 FIN-06101 Porvoo, Finland
 industrial.solutions@ensto.com
 www.ensto.com